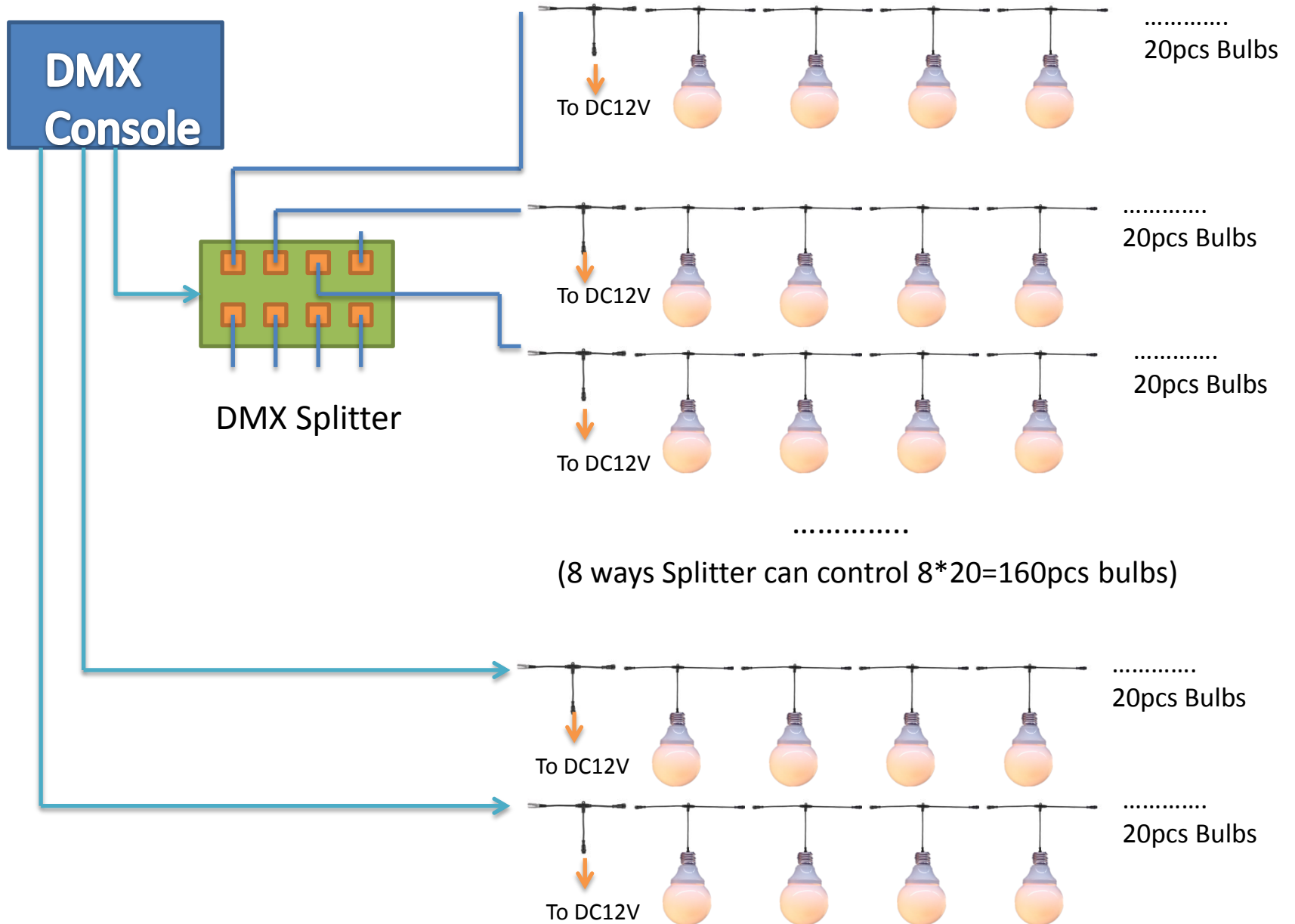


DMX RGB BULB CONNECTION GUIDE



How to write the address



Each bulb is a pixel, and has RGB 3 channels

You can write the first bulb to be 1, second bulb to be 4, third one is 7

The offset of address is 3.(you can change it in address settings)

The same address bulbs can be connected together and write the address